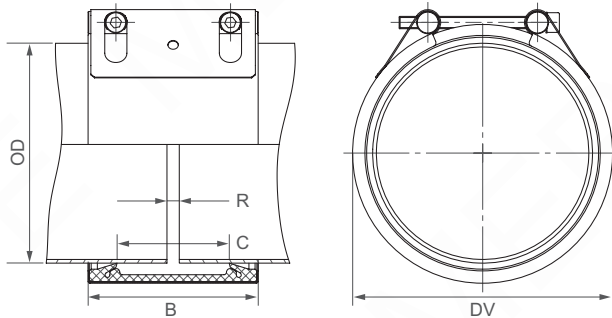


STRAUB-FLEX 2 | ø 172.0 - 2032.0 mm

Components / Materials	W1	W2	W4	W5
Casing	S355MC, hot-dip galvanised	AISI 316 L or similar		AISI 316 L or similar
Bolts	AISI 4135	AISI 4135		A4 - 80
Bars	AISI 12L14, galvanised	AISI 12L14, galvanised		AISI 316 L or similar
Strip insert (option)	AISI 316 L or similar / HDPE	AISI 316 L or similar / HDPE		AISI 316 L or similar / HDPE

Sealing sleeve EPDM	Temp.: -20°C up to +100°C Medium: all qualities of water, waste water, air, solids and chemical products
Sealing sleeve NBR	Temp.: -20°C up to +80°C Medium: water, gas, oil, fuel and other hydrocarbons
Sealing sleeve FPM/FKM	Temp.: -20°C up to +180°C Medium: ozone, oxygen, acids, gas, oil and fuel (only with strip insert)



B ⇨ 138 up to 148 mm
 DV ⇨ OD + 27 mm
 C ⇨ 91 mm
 R with strip insert ⇨ 35 mm
 R without strip insert ⇨ 10 mm

	W2 or W5
	W1, W2 or W5
	W1 or W5
	only in W1 available

OD [mm]	Clamping range [mm]	PN					PN [bar]
		2.5	6	10	16	20	
172.0	169 - 175						
180.0	177 - 183						
200.0	197 - 203						
219.1	216 - 223						
250.0	247 - 254						
267.0	263 - 272						
273.0	269 - 278						
304.0	300 - 309						
323.9	320 - 329						
355.6	352 - 360						
406.4	403 - 410						
457.2	453 - 462						
508.0	504 - 513						
558.8	555 - 564						
609.6	604 - 615						
711.2	707 - 717						
762.0	756 - 768						
812.8	807 - 819						
914.4	908 - 920						
1016.0	1010 - 1022						
1117.6	1112 - 1124						
1219.2	1213 - 1226						
1320.8	1314 - 1328						
1422.4	1415 - 1430						
1524.0	1517 - 1532						
1600.0	1593 - 1608						
1625.6	1619 - 1634						
1727.2	1720 - 1735						
1828.8	1822 - 1837						
1930.4	1923 - 1938						
2032.0	2025 - 2040						

Pressure rates according to type approval

CONTINUOUSLY VARIABLE INTERMEDIATE SIZES FROM 172.0 TO 2032.0 mm ARE AVAILABLE

Remarks:

- Follow fitting instructions
- PN () = working pressure considering the application loads
 Test pressure = PN () x 1.5 (for example industry, water supply etc.)
 Burst pressure = approx. PN () x 2
 PN () = nominal pressure, includes four times safety factor (e.g. shipbuilding)
- Strip inserts are optional accessories (see Technical Manual STRAUB)
- Additional sealing sleeves, pressure and temperature ranges on request